

Brass Shower Head - C4

Collection: CASCADE DEL TOCE

Model: SCT11-LO-OM-C4-06-CE

Model: SCT11-LO-OM-C4-08-CE



- | | | |
|---|--|---|
|  Polished Chrome |  Old Bronze |  Brushed Stainless Steel |
|  Polished Brass |  Old Copper |  Polished Stainless |
|  Polished Nickel |  Antique Gold |  White Matte |
|  Brushed Nickel |  Black Titanium |  Black Matte |
|  24K Gold |  Silver Nickel | |

- Luxurious and relaxing shower experience.
- Flexible usage for men, women, and children to unwind.
- Convenient installation in just a few minutes.
- Suitable for both residential and commercial use

- Crafted from high-quality brass, our showerhead ensures unparalleled durability, promising years of reliable use without corrosion or wear.
- Ensures uniform water distribution, providing complete body coverage and a profoundly soothing experience.
- Stylish design available in various finishes.
- Provides a spa-like shower experience that promotes relaxation and rejuvenation.
- Swivel ball connector for adjustable angle and "deluge" rain effect even with low water pressure.
- Versatile compatibility with wall-mounted or ceiling-mounted shower arms.

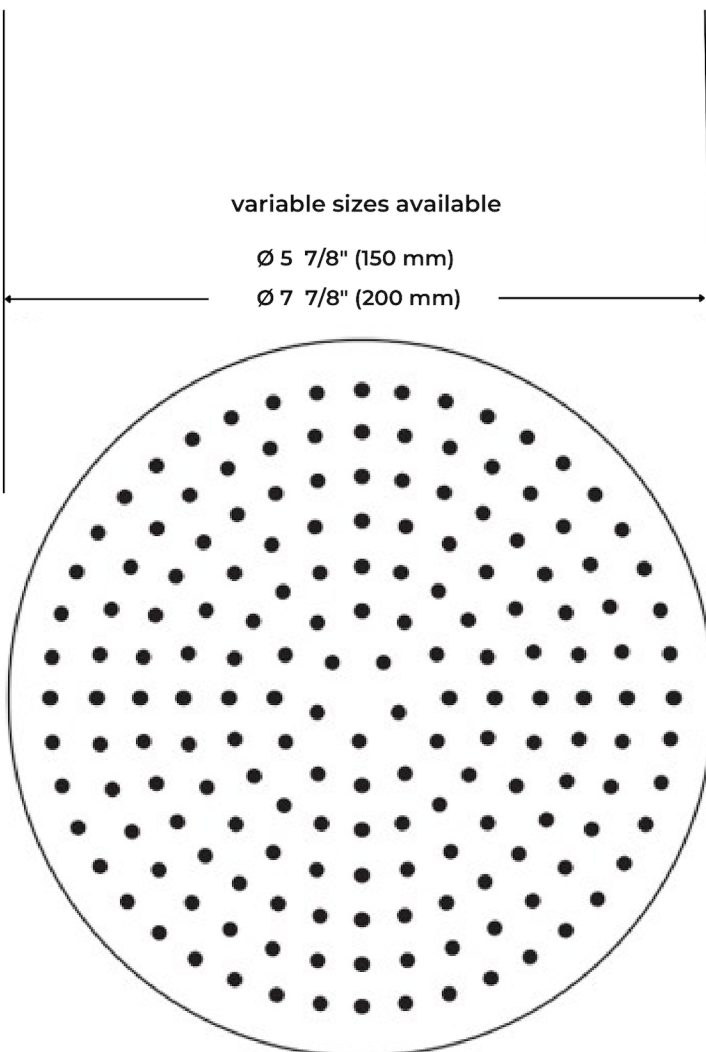
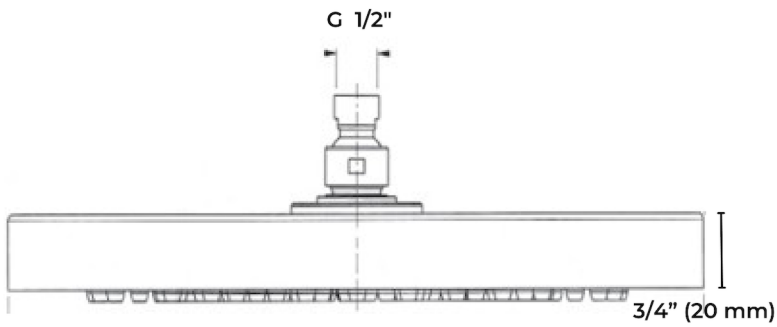
Elevate your shower experience with our sophisticated and versatile shower head, designed to complement any traditional or rustic modern aesthetic. Our shower head is thoughtfully crafted to suit your individual style, providing the perfect combination of beauty and functionality.

BENEFITS

FEATURES



- Country of Origin: Italy
- Dimensions: See technical drawings
- Material: Brass Body with Anti-Scale Nozzles
- Flow Rate: 1.8 GPM
- Shower arm is not included
- Installation Type: Ceiling or Wall mounted



TECHNICAL DETAILS

