

Concealed Thermostatic Shower Valve - 1 Outlet - C1

Collection: PLATANI

Model: HTD09A-CO-PL-C1-00-WL



Revolutionize your shower system with our concealed "in-wall" thermostatic shower valve - the hidden gem that powers all your shower features. With discreet plumbing and framing, our valve is installed behind the wall face of your shower, ensuring a seamless and clutter-free look. From there, you can control water temperature and volume, enabling you to personalize your shower experience to your exact preferences.

BENEFITS

- Easy to install and use for hassle-free showering.
- Increases bathroom value and aesthetic appeal.
- Suitable for both residential and commercial use.
- Perfect for those who want a luxurious and comfortable shower experience.
- Upgrades your shower system with reliable and convenient functionality.
- Ensures a sleek and stylish look in any bathroom décor.
- Suitable for both residential and commercial use.

FEATURES

- Precise temperature control with a concealed brass thermostatic rough valve for a safe and comfortable shower experience.
- Anti-scald technology prevents sudden temperature fluctuations.
- High-quality brass construction for durability and longevity.
- Concealed design for a clean and modern aesthetic.
- Customizable water temperature and volume for individual preferences.
- Compatible with various showerhead and spray configurations for versatility.



TECHNICAL DETAILS

- Country of Origin: Italy
- Material: Brass Valve Body
- Dimensions: See technical drawings
- Connection: 1/2" NPT
- Valve Type: Concealed (1, 2, or 3 Outlet Diverter)
- Style: Pressure Balance Diverter Valve
- Valve Function: Thermostatic
- Installation Type: Concealed Wall mounted
- Replacement Cartridge for Volume Control: C1
- Replacement Cartridge for Mixer/Temp Regulator: C3

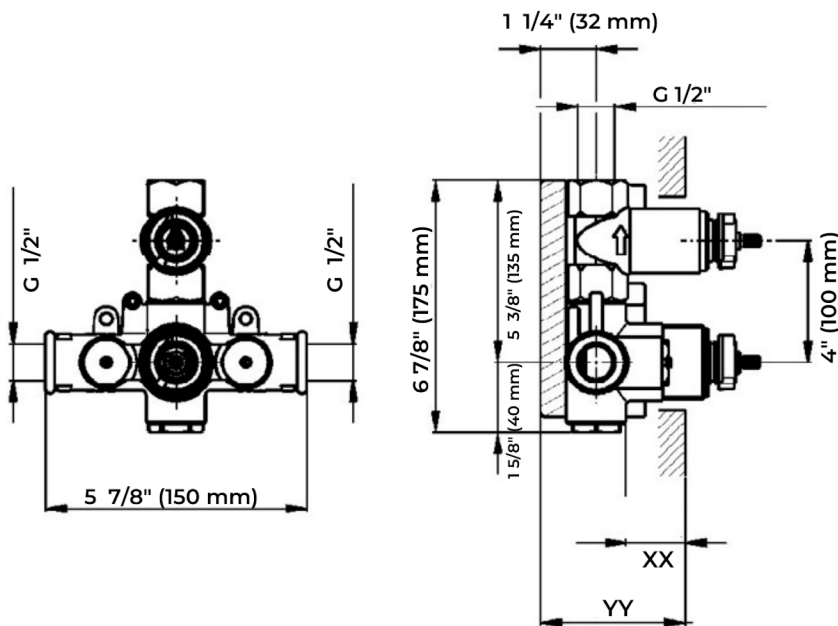


PLATE			
2-3mm:	XX 25-40	YY 76-91	
10 mm:	XX 16-31	YY 65-80	

